



**SOHORAID**  
**DR3-B31**  
*User Manual*

» DR3-B31 User Manual .....	1
1. Environmental Requirements .....	1
2. Product Appearance and Packaging Content .....	1
3. Hardware Requirements and Precautions .....	2
4. Hardware Installation.....	3
5. Description of HDD Indicators .....	5
6. Hard Drive Replacement and Data Rebuild Instructions...	5
» DR3-B31 產品使用說明 .....	6
1. 環境需求 .....	6
2. 產品外觀及包裝內容 .....	6
3. 硬體需求與注意事項 .....	7
4. 硬體安裝 .....	8
5. 燈號說明 .....	10
6. 更換硬碟與資料重建說明.....	10

## About this Manual

Thank you for choosing the STARDOM product. This manual will familiarize you with the STARDOM DR3-B31 product. We recommend reading through this manual before using the STARDOM DR3-B31 product. The information provided in this manual was checked before publication, but the actual product specifications may have changed before shipping; Latest product specifications and updates can be found at [www.STARDOM.com.tw](http://www.STARDOM.com.tw). No separate notifications will be provided by our company. If you would like to receive the latest STARDOM product information, manuals, and firmware, or have any questions regarding STARDOM products, please contact your local supplier or visit [www.STARDOM.com.tw](http://www.STARDOM.com.tw) for more information.

All product-related content in this manual are copyrighted by RAIDON TECHNOLOGY, INC.

## 1. Environmental Requirements

Operating temperature: 5 ~ 35 °C (41 ~ 95 °F )

Storage temperature : -20 ~ 47°C (-4 ~ 116 °F )

Operating voltage: 100 ~ 240V AC

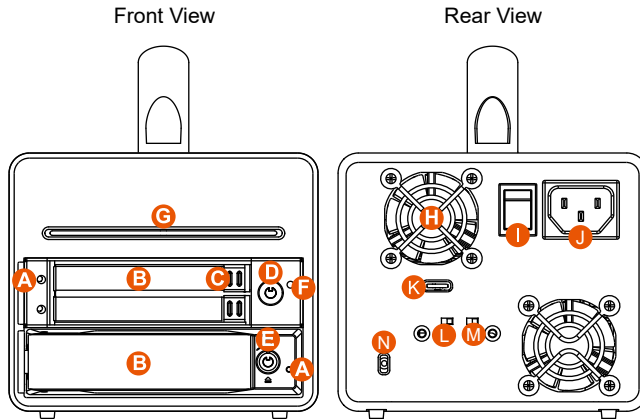
## 2. Product Appearance and Packaging Content

The following items should be inside the package upon opening:

DR3-B31
DR3-B31 product x1 (containing HDD enclosure x3)
USB 3.1 cable x1
Power cable x1
Handle x1
Screws and key x3
Quick setup guide x1

- Please check the product and accessories for any defect or missing parts. If you have any questions, please contact your product supplier.
- Please visit the official website ([www.STARDOM.com.tw](http://www.STARDOM.com.tw)) to download drivers and other related resources.

## Front and rear view



- |                          |  |  |
|--------------------------|--|--|
| A. HDD access light      | F. Mute button(2.5" Hard disk warning) | K. USB 3.1 port (GEN2 10Gbps)              |
| B. HDD enclosure handle  | G. System indicator                    | L. Fan speed switch                        |
| C. HDD tray ejection     | H. Fan                                 | M. Mute switch(System temperature warning) |
| D. HDD enclosure keyhole | I. Power switch                        | N. Anti-theft cord slot                    |
| E. Key access opening    | J. Power socket                        |  |

## 3. Hardware Requirements and Precautions

1. This system can only transfer data to one computer through one interface at a time.
2. After the hard disk is formatted, the actual total capacity of the DR3-B31 detected by the computer operating system will vary from the sum of all hard disk capacities stated by the manufacturer.
3. All existing data will be deleted when this product is set up for the first time. Please ensure that all data on the hard disk has been backed up before installation to avoid data loss.
4. Before a new HDD is installed in the DR3-B31, please make sure that there are no bad tracks or defects to avoid data loss.
5. If the DR3-B31 needs to be shut down or disconnected, please ensure the HDD is safely removed through your operating system before turning off the power.
6. To prevent data loss, do not remove any of the hard disks while the system is running.
7. Once the system has been initialized, do not switch hard disks around during use. Doing so may prevent the RAID from being recognized by the system.
8. Once RAID mode has been set up, the switching of hard drives will lead to the removal of data from the hard disks. Please be sure to backup the data on the hard disk before making any switches.
9. Please always connect the USB cable to the computer to ensure the energy saving function operating normally.
10. If the DR3-B31 needs to be shut down or disconnected, please ensure the HDD is safely removed

through your operating system before turning off the power.

11. The system fan will run at full speed when system temperature reaches 55 degrees to speed up heat dissipation. The fan will only return to the manual speed setting when system temperature drops back below 50 degrees.
12. Once the computer turn to "Standby" or "Sleep" mode, DR3-B31 will still complete the rebuilding function. However, it will not change to "Standby" mode after rebuilding. You need to shut down the DR3-B31 manually or wake up the computer to synchronize "Standby " or "Sleep" mode together.
13. We strongly recommend backing up important data stored on the DR3-B31 to another storage device or a remote site. STARDOM will not be held liable for the damage or loss of data you stored on the DR3-B31.

### Storage Mode Definition

Independent mode ( JBOD ) : Four discrete storage capacities.

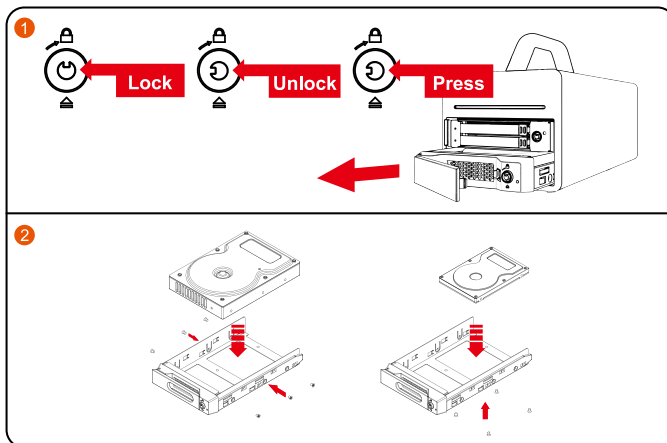
Safe mode ( Raid 1 ) : One independent data storage with data protection.

## 4. Hardware Installation

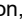

Please follow the steps below to complete the DR3-B31 hardware setup process:

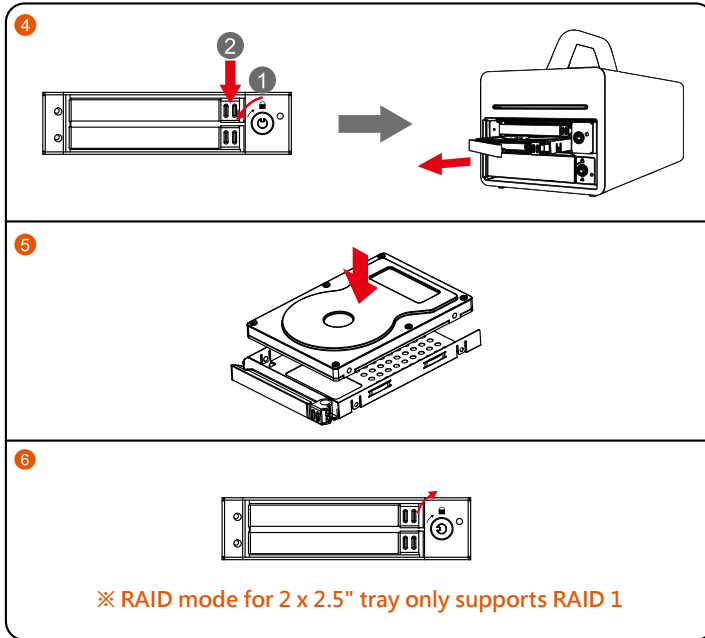
### 1. Mount the hard disk to the tray:

- Step 1 Use the key included in the accessory kit and inserted into the key access opening to eject the removable drive tray latch and extract the removable drive tray.
- Step 2 Mount your hard drives onto the removable drive tray and secure it with the screws included in the accessory kit to avoid any damage to the hard drive due to accidental movements.
- Step 3 After installing the HDD into tray, please insert them into DR3-B31, and then latch the handle.

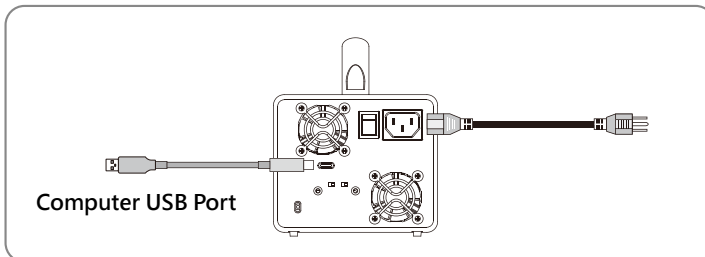


Note: Please avoid using hard disk drives from different manufacturers or different models from the same manufacturer as this may impact system performance.

- Step 4 Use the key included in the accessory kit and Please first release tray from turning lock-handle counterclockwise to the  position, eject the tray.
- Step 5 Mount the hard drive onto the removable tray.
- Step 6 After mounting the HDD firmly, inset the tray back into bays properly, lock the tray from turning the lock-handle clockwise to the  position.



2. Please connect the signal cable first, and then power cord later.



3. After completing hardware installation, turn on the power and follow the instruction of Disk Utility to format the two HDDs, you then could start using your new DR3-B31.

## 5. Description of HDD Indicators

Status	System status light	HDD access light		Buzzer
		3.5" HDD access light	2.5" HDD access light	
No HDD detected	Blue light always on	Red light always on	Red light always on	Yes (2.5" Hard disk warning)
RAID failed	Blue light always on	Red light flashing	Red light flashing	Yes (2.5" Hard disk warning)
Data access	Blue light always on	Blue light flashing	Blue light flashing	N/A
HDD idle	Blue light always on	Blue light flashing	Blue light flashing	N/A
Rebuilding data - Source HDD	Blue light always on	N/A	Red light flashing	N/A
Rebuilding data - Target HDD	Blue light always on	N/A	Blue light flashing	N/A
Fan Fail	Purple light flashing	Blue light always on	Blue light always on	Yes (System temperature warning)
Overheat ( $\geq 55^{\circ}\text{C}$ )	Purple light flashing	Blue light always on	Blue light always on	Yes (System temperature warning)

## 6. Hard Drive Replacement and Data Rebuild Instructions

1. During the use of DR3-B31, if you are required to replace a malfunctioning drive, refer to chapter 4 "Hardware Installation". Once drive replacement is completed and it is turned on, DR3-B31 will perform data rebuilding procedure automatically.
2. If, during the rebuilding process, a drive malfunctions and is unable to continue the rebuilding process, please restart DR3-B31 to check and see that whether the drive is in fact malfunctioning. If it is, please refer to chapter 4 "Hardware Installation" to replace the malfunctioning drive.

### Note:

DR3-B31 allows suspension during data rebuilding process. If you turn off the power during the process, the system will automatically continue to process the remains the next time you turn on the power of the unit. Please do not change the position and sequence of the drives at any time.

## 關於這份手冊

感謝您使用 STARDOM 的產品。本手冊將介紹 STARDOM DR3-B31 產品。在您開始使用 STARDOM DR3-B31 產品前，建議您先閱讀過本手冊。手冊裡的資訊在出版前雖已被詳細確認，實際產品規格仍將以出貨時為準；任何產品規格或相關資訊更新請您直接到 [www.stardom.com.tw](http://www.stardom.com.tw) 網站查詢，本公司將不另行通知。若您想獲得 STARDOM 最新產品訊息、使用手冊、韌體，或對 STARDOM 產品有任何疑問，請您聯絡當地供應商或到 [www.stardom.com.tw](http://www.stardom.com.tw) 取得相關訊息。

本手冊相關產品內容歸銳銳科技股份有限公司版權所有

## 1. 環境需求

工作溫度：5 ~ 35 °C (41 ~ 95 °F)

儲存溫度：-20 ~ 47°C (-4 ~ 116 °F)

工作電壓：100 ~ 240V AC

## 2. 產品外觀及包裝內容

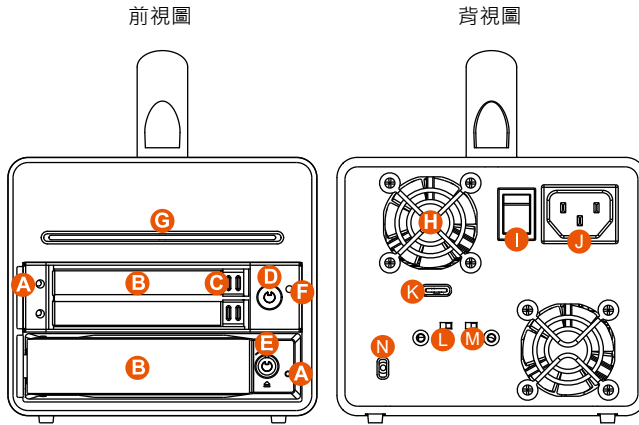
打開包裝外盒後，包裝內容應包含下列組件：

DR3-B31
DR3-B31 產品本體 x1( 內含抽取盒 x2)
USB 3.1 連接線 x1
電源線 x1
把手 x1
螺絲及鑰匙 x3
快速安裝手冊 x1

- 請確認相關配件與產品本身是否有受損或配件缺少，若有任何疑問請與本產品供應商聯絡。
- 請前往官網 ([www.STARDOM.com.tw](http://www.STARDOM.com.tw)) 下載驅動程式以及其餘相關資源。



正面與背面示意圖



- |             |                              |                  |
|-------------|------------------------------|------------------|
| A. 硬碟讀取燈    | F. 靜音開關 (2.5" 硬碟警示)          | L. 風扇轉速切換按鈕      |
| B. 硬碟抽取盒把手  | G. 系統指示燈                     | M. 靜音開關 (系統溫控警示) |
| C. 頂出按鍵     | H. 風扇                        | N. 防竊鎖孔          |
| D. 硬碟抽取盒鑰匙孔 | I. 電源開關                      |                  |
| E. 硬碟卡榫按鍵   | J. 電源插座                      |                  |
|             | K. USB 3.1 連接埠 (GEN2 10Gbps) |                  |

### 3. 硬體需求與注意事項

1. 本系統同一時間只可透過一組介面與一台電腦執行資料傳輸。
2. 硬碟格式化後，由電腦主機作業系統所辨識 DR3-B31 的實際總容量會與硬碟廠所標示的容量加總後，將有所差異。
3. 第一次使用本產品進行設定時，資料會被全數清除。請於硬碟置入前，確認硬碟已備份，避免資料遺失。
4. 在安裝新硬碟到 DR3-B31 之前，請先確認硬碟是沒有壞軌而且是沒有故障的，以避免資料受損。
5. 當您需要關閉或移除 DR3-B31 時，務必透過您所操作的作業系統中執行硬碟安全移除後，方可進行電源關閉的動作。
6. 當系統運作時，請勿任意移除任何一顆硬碟，以免導致資料遺失。
7. 完成系統初始化安裝後，在使用上請勿任意變更硬碟位置；此動作將可能導致系統無法形成 RAID。
8. RAID 模式一旦設定完成，若要進行切換，因切換過程中將會清除硬碟中的資料，請務必先將硬碟中的資料另行備份後再行切換。
9. 為了確保節能功能的正常運作，請將 USB 連接線常態性與電腦端保持連接。
10. 當您需要關閉或移除 DR3-B31 時，務必透過您所操作的作業系統中執行硬碟安全移除後，方進行電源關閉的動作。

11. 當系統溫度達到 55 度時，機器風扇會全速運轉，加速機器內部散熱，當系統溫度降回 50 度以下時，才會恢復手動風扇轉速設定之狀態。
12. 2 x 2.5" 抽取盒的 RAID 模式僅支援 RAID 1；1 x 2.5" /3.5" 抽取盒僅支援 JBOD。
13. 在資料自動重建狀態下，若電腦端進入系統待命或是休眠狀態，DR3-B31 會持續完成重建；但當重建完成後將不會進入待命狀態。此時需用手動方式關機，或是先將電腦系統回復到正常運作狀態後，之後才能再與電腦端同步進入待命或是休眠狀態。
14. 強烈建議除了使用 DR3-B31 的資料儲存功能外，請針對重要資料備份到另一個儲存裝置上或遠端備份，雙重備份您重要的資料。若您儲存在 DR3-B31 的資料損毀或遺失，STARDOM 將不負任何的責任。

#### 儲存模式模式解說

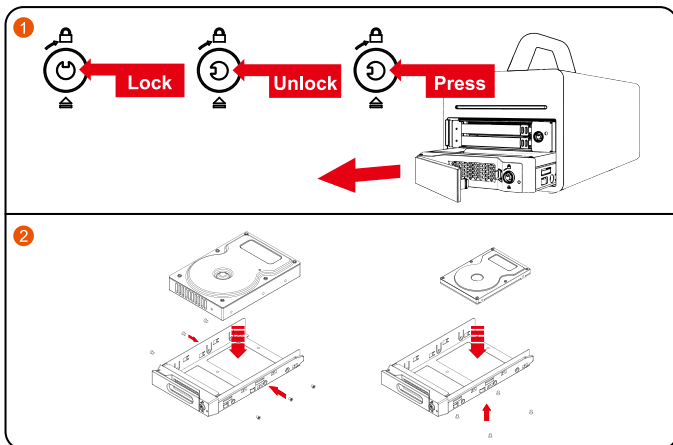
Independent mode ( JBOD ) : 二個獨立資料儲存容量。


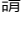
Safe mode ( Raid 1 ) : 一個獨立資料儲存容量並包含資料保護功能。

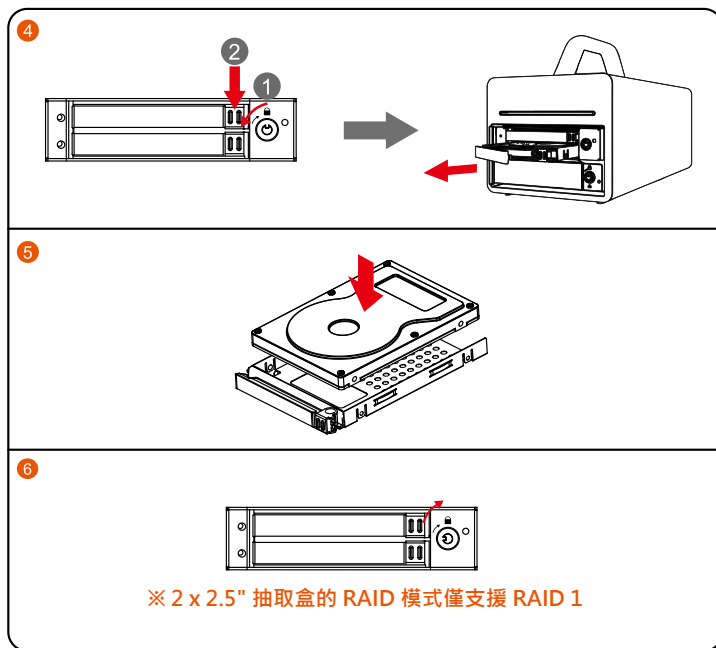
## 4. 硬體安裝

請參照以下步驟完成硬體安裝

1. 將硬碟安裝至抽取盒上：
  - (1) 使用零件包所附的頂針插入上層硬碟抽取盒的鑰匙孔，開啟硬碟抽取盒把手便將抽取盒取出。
  - (2) 將硬碟安裝到抽取盒上，並以零件包內附的螺絲加以固定。
  - (3) 硬碟安裝完成後，請將抽取盒平放回主機內，並關上把手。

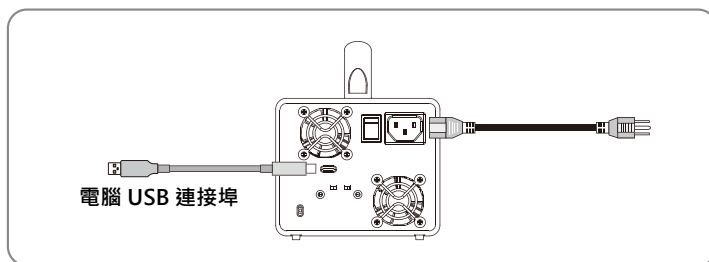


- (4) 使用零件包所附的鑰匙將下層硬碟抽取盒的鑰匙孔逆時針旋轉遠離圖示  的位置，壓下頂出按鈕，取出硬碟抽取盒。
- (5) 將硬碟安裝到抽取盒上。
- (6) 硬碟安裝完成後，請將抽取盒平放回主機內，並關上把手；使用鑰匙將硬碟抽取盒的鑰匙孔順時針轉向  的位置。



注意：不建議使用不同廠牌，或是同廠牌不同型號的硬碟，避免影響效能。

2. 將相關連接線接上，最後接上家用電源。



3. 硬體安裝完成。開啟電源後請透過作業系統進行後續格式化設定。請依照電腦作業系統指示進行硬碟格式化，完成硬碟格式化後，便可以進行資料的讀寫。

## 5. 燈號說明

狀態	系統指示燈	硬碟讀取燈		蜂鳴器
		3.5" 硬碟 讀取燈	2.5" 硬碟 讀取燈	
無硬碟	藍燈恆亮	紅燈恆亮	紅燈恆亮	鳴叫 (2.5" 硬碟警示)
硬碟故障	藍燈恆亮	紅燈閃爍	紅燈閃爍	鳴叫 (2.5" 硬碟警示)
資料存取	藍燈恆亮	藍燈閃爍	藍燈閃爍	— —
硬碟閒置	藍燈恆亮	藍燈恆亮	藍燈恆亮	— —
資料重建 - 來源碟	藍燈恆亮	— —	藍燈恆亮	— —
資料重建 - 目標碟	藍燈恆亮	— —	紅燈閃爍	— —
風扇故障或過熱 ( $\geq 55^{\circ}\text{C}$ )	紫燈閃爍	藍燈恆亮	藍燈恆亮	鳴叫 (系統溫 控警示)

## 6. 更換硬碟與資料重建說明

1. 使用 DR3-B31 過程當中，如硬碟故障而必須更換新硬碟時，請參考「章節 4\_ 硬體安裝」，取出故障硬碟並更換成新硬碟。故障硬碟一旦完成更新並開機後，DR3-B31 會自動進行資料重建功能。
2. 在資料重建的過程當中，如其中硬碟又再次發生故障，而導致資料重建無法繼續。請將 DR3-B31 重新開機，再次確認硬碟是否故障，如果確定有故障，請參考「章節 4\_ 硬體安裝」進行硬碟更換。

### 注意：

DR3-B31 容許資料重建過程中斷。如您在資料重建過程中將電源關閉，在您下次開機，過程將會從您上次關機時的階段繼續進行直到完成。請勿任意改變硬碟的位置與順序。



<http://www.stardom.com.tw/>

